



# 850nm 3W High Power infrared LED

## Product Description

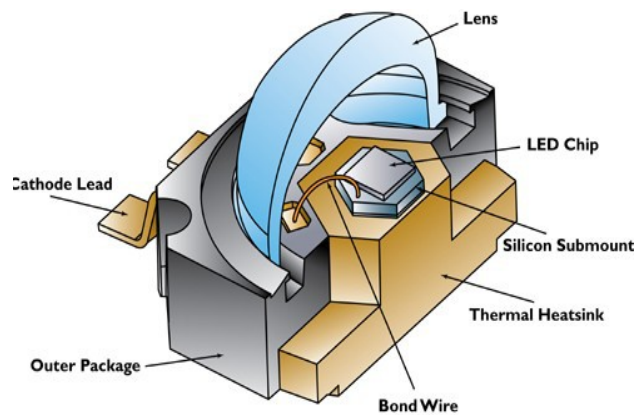
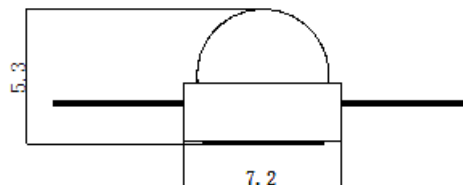
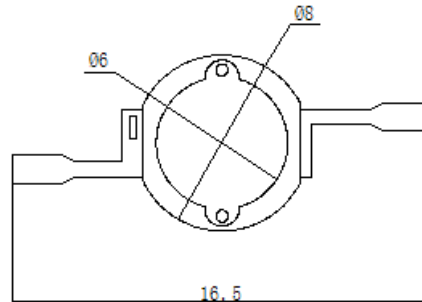
\*Imitation Lumens 3w

\*High Quality high efficiency, high brightness

\*Low thermal resistance, long server time

\*With environmental requirements

- Mechanical Dimension



**Applications:**

CCTV camera, IP camera, surveillance cameras, monitoring,  
surveillance, surveillance cameras, other special applications

**Absolute Maximum Rating(At TA=25°C)**

Parameter	Symbol	Max. Value	Unit
DC Forward Current	IF	350	mA
MAX DC Forward Current	IFP	1000	mA
Reverse Voltage(V)	VR	5	V
Operating Temperature	Topr	-20~+75	°C
Storage Temperature	Tstg	-30~+80	°C

**Electrical/Optical Characteristics (At TA=25°C)**

Parameter	Symb ol	Conditions	Min	Avg	Max	Units
Forward Voltage	Vf	IF=700MA	1.8		2.2	V
Reverse Current	IR	VR=5V			10	μA
Color temperature/ WD	TC	IF=700MA	850		850	K/NM
color coordinat e	X	IF=700MA				
	Y					
ViewingAngle( °)	θ/2	IF=750MA		140		deg
Luminous Flux	ΦV	IF=750MA				LM

**Typical Electro-Optical Characteristics Curves**

